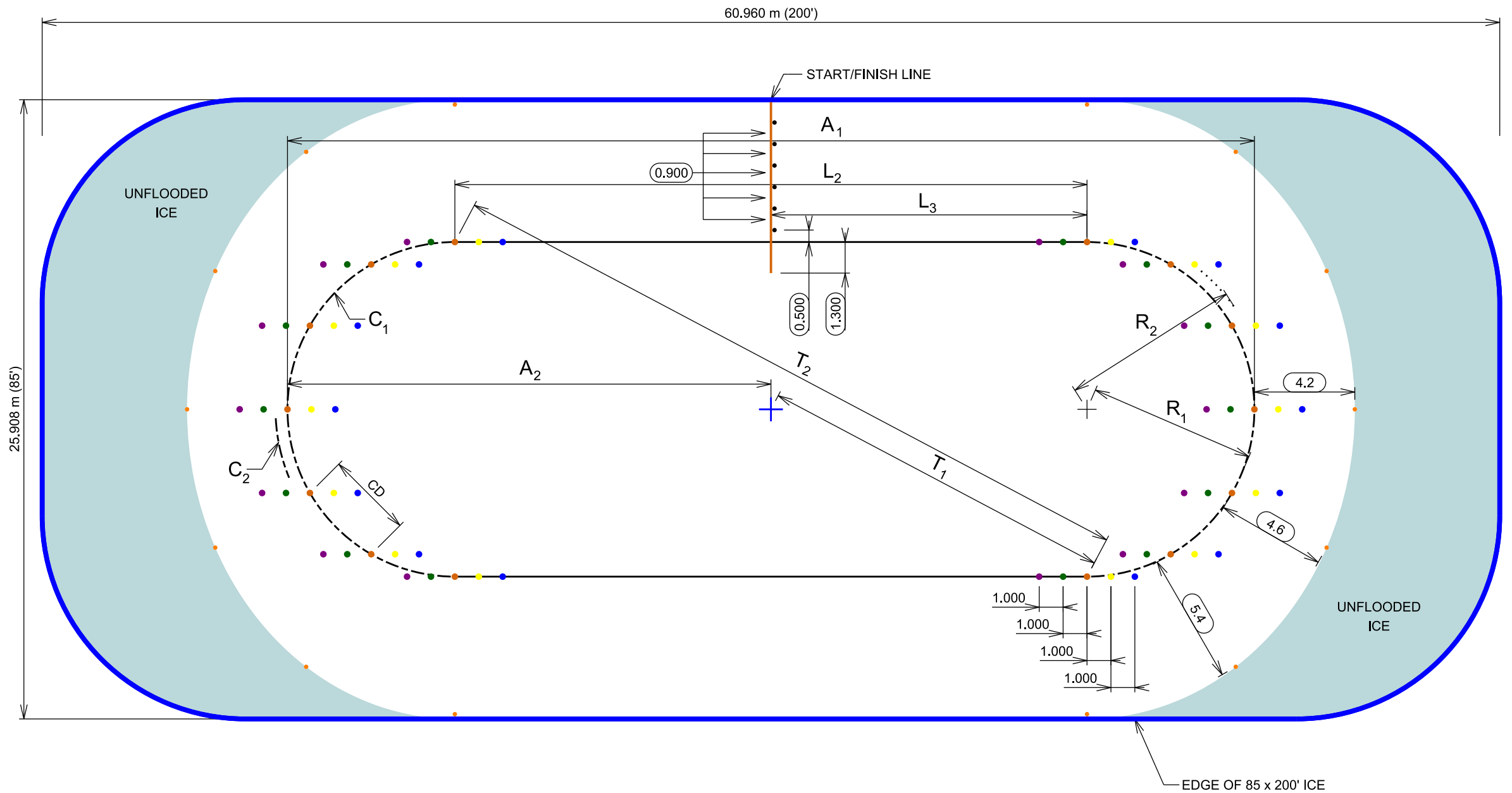


Track Dimension Summary: 7.0 m Radius, 100.000 m Skated Track			
Description	Formula For Calculation	Value	
Straights			
L ₁	Total Length of Straights	TD ₂ - C ₂	52.876
L ₂	Length of One Straight	L ₁ /2	26.438
L ₃	Length of 1/2 of One Straight	L ₁ /4	13.219
T ₁	Center to Start of Curve	$(T_1)^2 = (R_1)^2 + (L_3)^2$	14.958
T ₂	Start of Curve to Start of Curve (Measured on a diagonal)	T ₁ *2	29.916
A ₁	Mid-Point of Curve to Mid-Point of Curve	L ₂ + (R ₁ *2)	40.438
A ₂	Center to Mid-Point of Curve	A ₁ /2	20.219
Curves			
R ₁	Layout Curve Radius	Curve Radius	7.000
R ₂	Skated Radius	R ₁ + 0.500	7.500
C ₁	Marked Track Curve Distance	2*R ₁ *PI	43.982
C ₂	Skated Track Curve Distance	2*R ₂ *PI	47.124
a	Arc Length Between 2 Blocks	C ₁ /12	3.665
∅	Angle Between Blocks From Radius Center (Radians)	a/R ₁	0.52360
CD	Chord Distance Between Blocks	2*R ₁ *sin(∅/2)	3.623
Total Distance			
TD ₁	Total Distance at Blocks	L ₁ + C ₁	96.858
TD ₂	Total Distance Skated Track	Total Track Skated	100.000



NOTE: PRINT DIAGRAM ON 11" X 17" PAPER

DWN. BY A. PHINNEY DATE Sept 17, 2010

DWG No. SSC2010-005 REV.



PROJECT TITLE

100 m Racing Track on
25.908 m x 60.960 m Ice

DRAWING TITLE

7 m Radius / 100.000 m Skated



Speed Skating Canada
2781 Lancaster Road, Suite 402
Ottawa, Ontario, K1B 1A7
Tel: (613) 260-3669 Fax: (613) 260-3660
Email: ssc@speedskating.ca